

upna

Universidad Pública de Navarra
Nafarroako Unibertsitate Publikoa

Redes de Nueva Generación
Área de Ingeniería Telemática



NFV



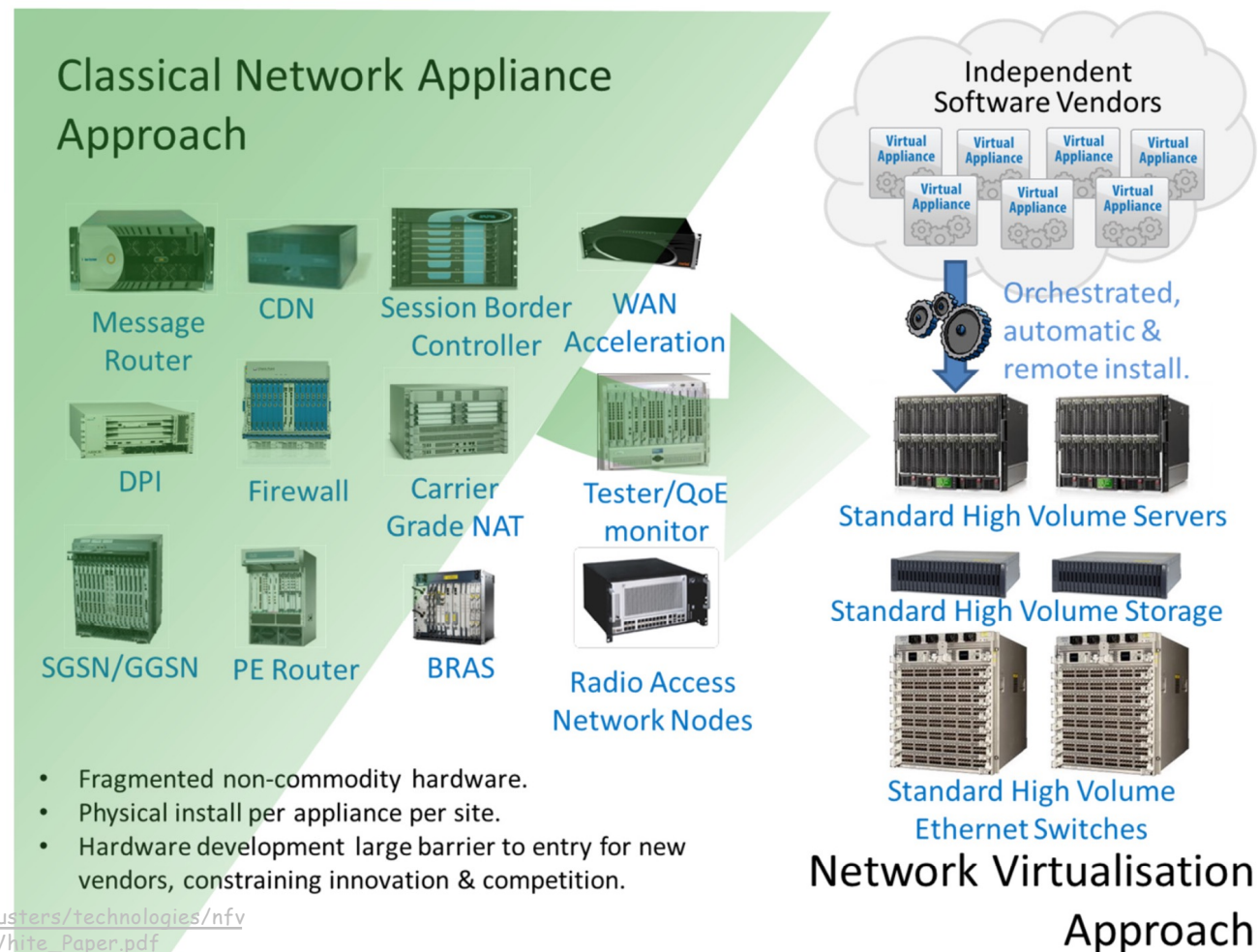
El problema

- Problema de las operadoras
- Gran cantidad de *appliances*
- Desplegar un nuevo servicio requiere espacio y alimentación para ese nuevo hardware
- Nuevas habilidades de la gente para diseñar, integrar y operar el servicio con ese nuevo hardware
- Ese hardware alcanza su límite de vida con rapidez, lo cual requiere políticas de remplazo que no crean nuevo beneficio
- Los operadores declaran no estar incrementando sus beneficios pero aumentan sus costes (más tráfico, más servicios)



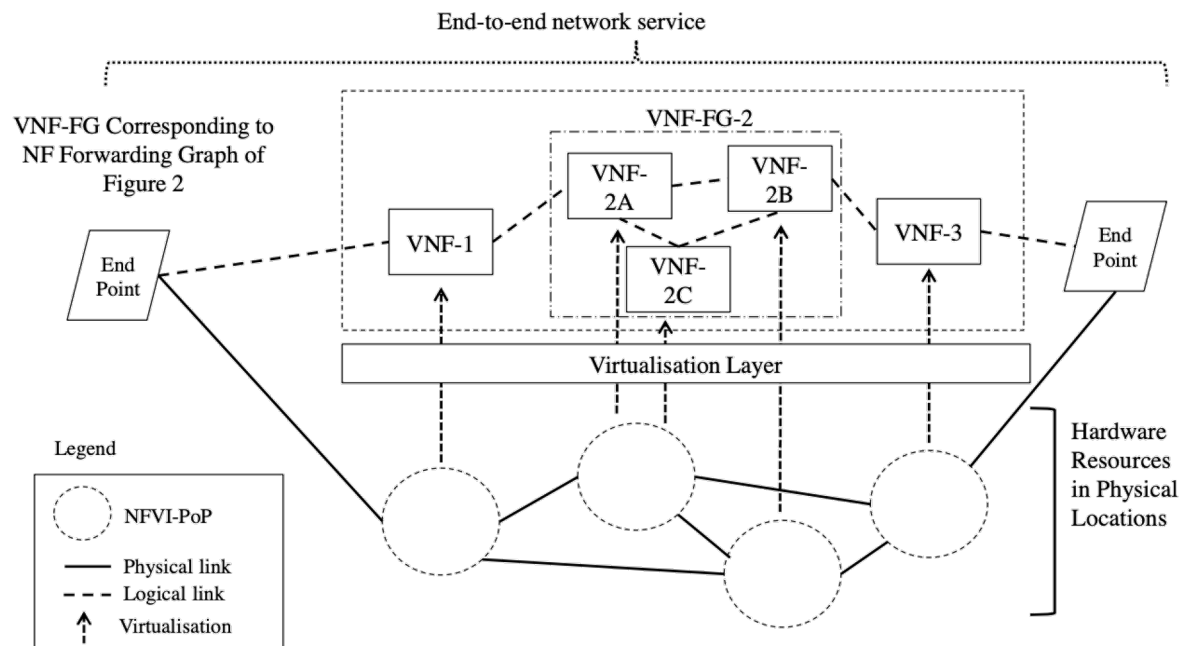
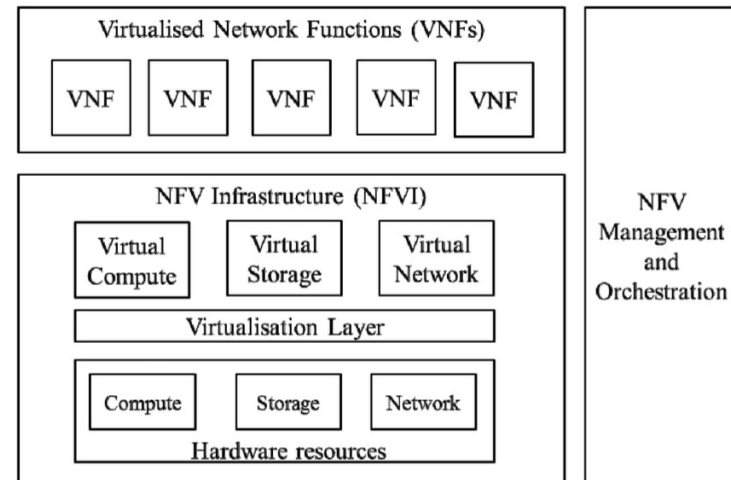
NFV

- *Network Functions Virtualisation* (complementario a SDN)
- Se busca mover de hardware dedicado a máquinas virtuales
- Un ISG (*Industry Specification Group*) de ETSI desde finales de 2012
- Hoy más de 200 compañías



Arquitectura

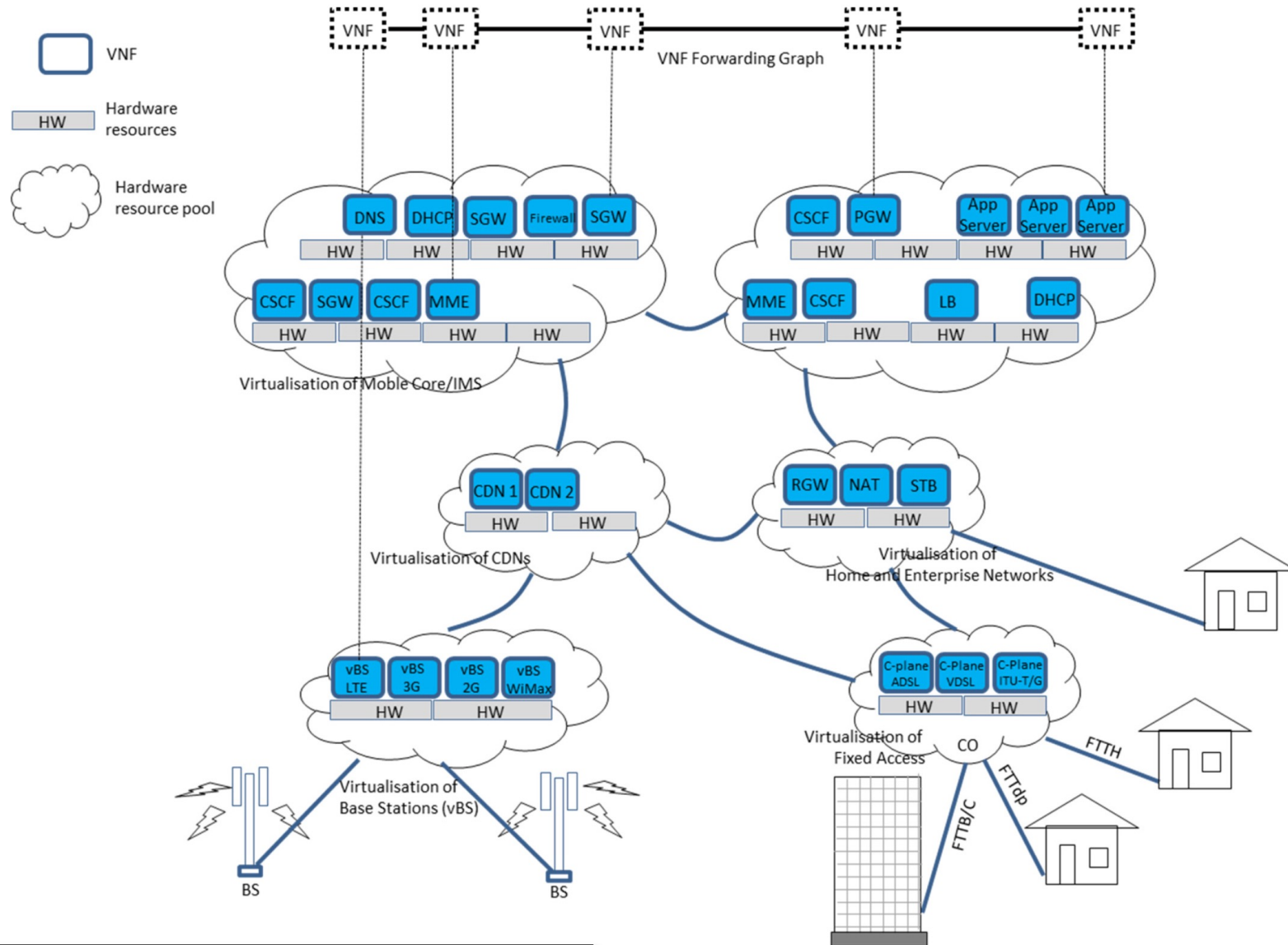
- NF = Network Function
- VNF = Virtualised Network Function (implementación de NF)
- NFVI = Network Functions Virtualisation Infrastructure (donde se despliegan VNFs)



Use cases

- Switching elements: BNG, CG-NAT, routers.
- Mobile network nodes: HLR/HSS, MME, SGSN, GGSN/PDN-GW, RNC, Node B, eNode B.
- Functions contained in home routers and set top boxes to create virtualised home environments.
- Tunnelling gateway elements: IPSec/SSL VPN gateways.
- Traffic analysis: DPI, QoE measurement.
- Service Assurance, SLA monitoring, Test and Diagnostics.
- NGN signalling: SBCs, IMS.
- Converged and network-wide functions: AAA servers, policy control and charging platforms.
- Application-level optimisation: CDNs, Cache Servers, Load Balancers, Application Accelerators.
- Security functions: Firewalls, virus scanners, intrusion detection systems, spam protection.

Ejemplos



VNF = Virtualised Network Function

Algunos beneficios

- Reducción de coste de equipos
- Reducción de consumo eléctrico
- Reducción de tiempo de despliegue de un nuevo servicio
- Posibilidad de tener servicios en producción, prueba y desarrollo en la misma infraestructura
- Escalado rápido del servicio
- Abre el mercado a desarrolladores de soft (no necesitan desarrollar hardware)
- Multi-tenancy
- Mejores habilidades existentes para la gestión de infraestructura IT de gran escala que de equipos de red
- Reducción de tiempos de reparación
- Reducción de tiempos de actualización de software
- Etc etc



Facilitadores

- *Cloud Computing*

- Virtualización (hypervisores, vSwitch, smart NICs)
- *Orchestration*
- Open APIs



- Grandes volúmenes de servidores

- Componentes estándar (por ejemplo x86), vendidos por millones (escala) e intercambiables (competencia)
- En lugar de *appliances* que dependen de ASICs



Ejemplo: B4N CG-NAT

B4N CG-NAT SPECIFICATIONS

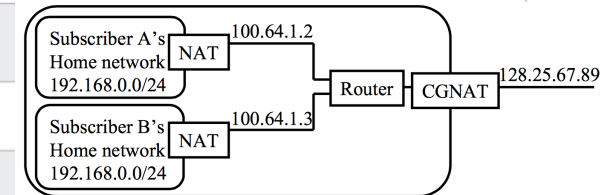
WHAT IS B4N CG-NAT?

B4N CG-NAT is an NFV-based solution designed to provide high performance and transparent address and protocol translation. B4N CG-NAT helps Service Providers to mitigate IPv4 address exhaustion by using address and port translation in large scale and provides native integration within existent operators' infrastructure.

B4N CG-NAT is a fully virtualized and SDN ready solution that utilizes commodity x86 servers and provides carrier grade performance by using Intel® Data Plane Development Kit libraries.

CG-NAT solution provides maximum **500Gbps** throughput performance and fully compliant with **ETSI NFV ISG architecture**

	CONF.10	CONF.50	CONF.500	DISTRIBUTED
Max Throughput	10 Gbps	50 Gbps	500 Gbps	Unlimited
Connections per Second	200K per 10Gbps			Depends on OpenFlow switches performance, but not less than BOXED
Two-way sessions	10M per 10Gbps			
Resiliency	N+1. Active-Active, Active-Standby			
Supported protocols	NAT44 PCP			
Interfaces	REST API NETCONF			
Management	WEB CLI			
Supported hypervisors	LXC (Linux Containers) KVM VMware			
Logging	Local or external SYSLOG Server			



SCALABILITY

Simple extend capacity and performance by adding new B4N NAT VNFs and Distributed Switches, while maintaining existent network architecture



COMMODITY HARDWARE

Using commodity x86 servers instead of dedicated hardware devices



UNIFIED MANAGEMENT

Single point of management through powerful WEB-interface



AUTOMATION

B4N CG-NAT provides set of tools for automate service management



CONFORMANCE WITH REFERENCE ARCHITECTURE

Fully compliant with MANO Framework. B4N CG-NAT includes VNF-manager that can be integrated with Customer orchestration and management system.



SDN READY

B4N CG-NAT designed to be easy integrated with Customer SDN infrastructure

upna

Universidad Pública de Navarra
Nafarroako Unibertsitate Publikoa

Redes de Nueva Generación
Área de Ingeniería Telemática

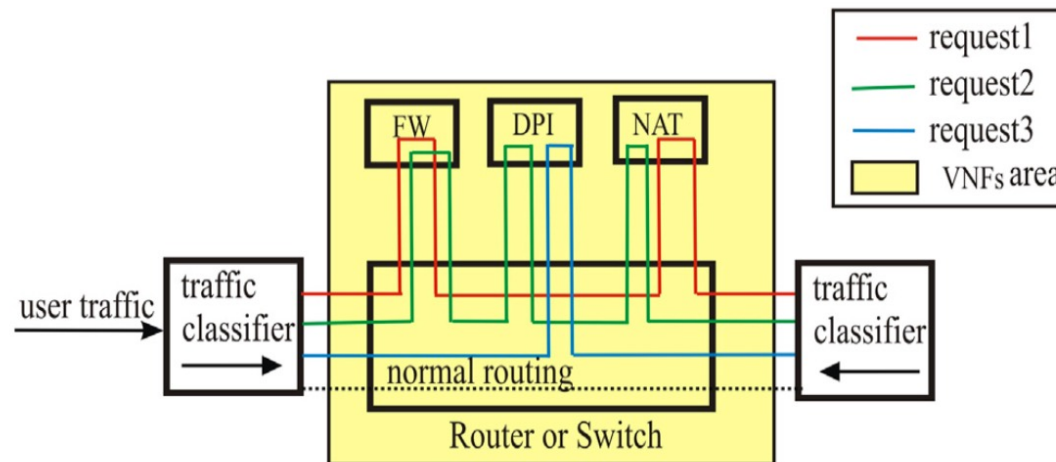
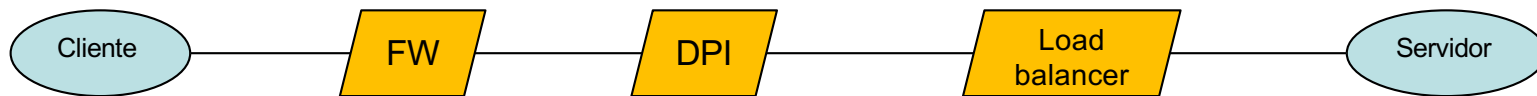


SFC



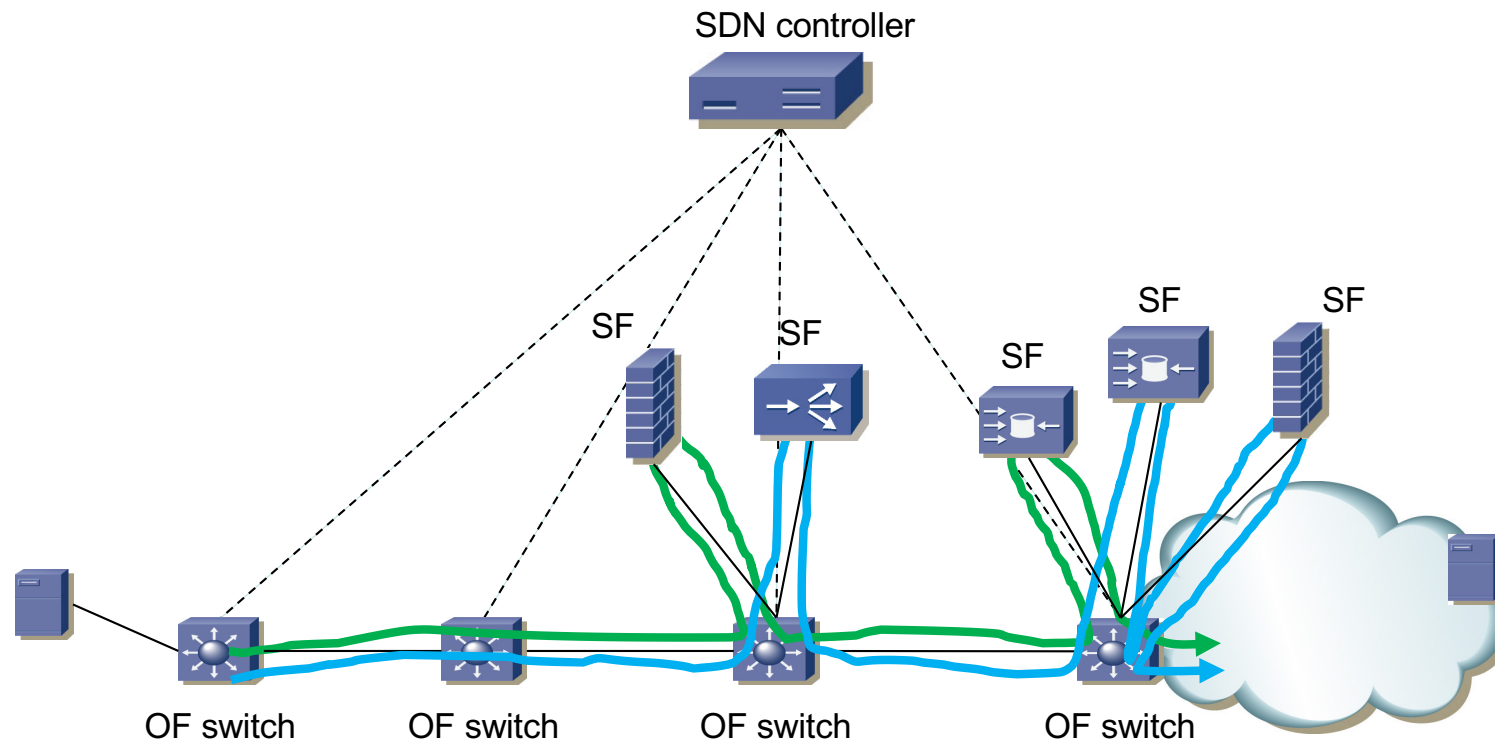
Service Function Chaining

- RFC 7665: “Service Function Chaining (SFC) Architecture” (Ericsson, Cisco, 2015)
- Service functions: firewalls, load balancers, NATs, WAN accelerators, TCP optimizers, DPIs, etc
- SFC: lista ordenada de instancias de estas funciones de servicio
- Service Function Path (SFP)
- Es agnóstico a cómo se transporten los paquetes (por la *underlay*)



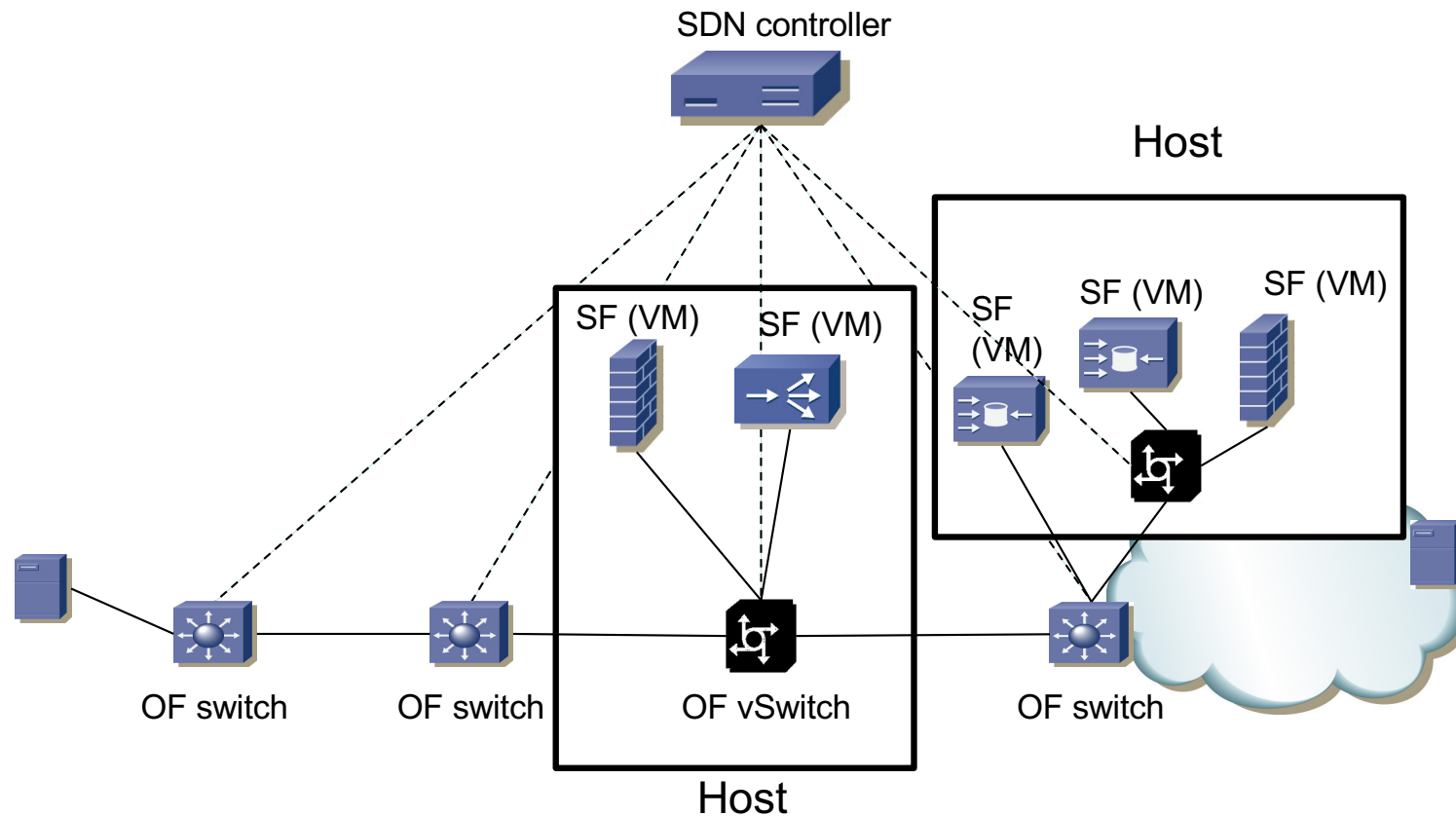
SFC + SDN

- SDN para dirigir los flujos



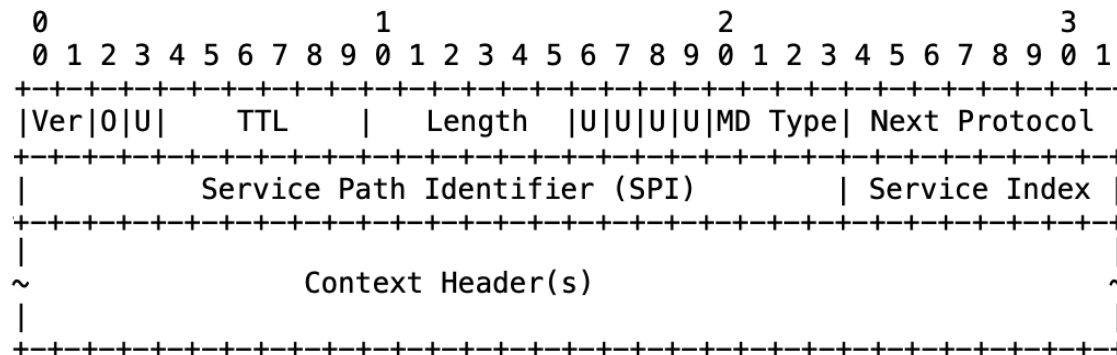
SFC + SDN + NFV

- NFV : La virtualización de los servicios
- SFC : La cadena de servicios por los que debe pasar el flujo
- SDN : El control de la red para llevar a cabo ese camino



NSH

- RFC 8300, “Network Service Header” (Cisco, Intel, 2018)
- TTL (*loop prevention*) indica el máximo número de saltos de servicio (SFFs)
- Next Protocol: IPv4 (0x1), IPv6 (0x2), Ethernet (0x3), NSH (0x4), MPLS (0x5)
- *Service Path Identifier*: identifica al SFP y con él a las SF por las que pasar
- *Service Index*: Da localización dentro del SFP (inicial 255 y lo decrementa cada SF o SFC Proxy)
- Transporta metadatos que pueden necesitar las SFs



upna

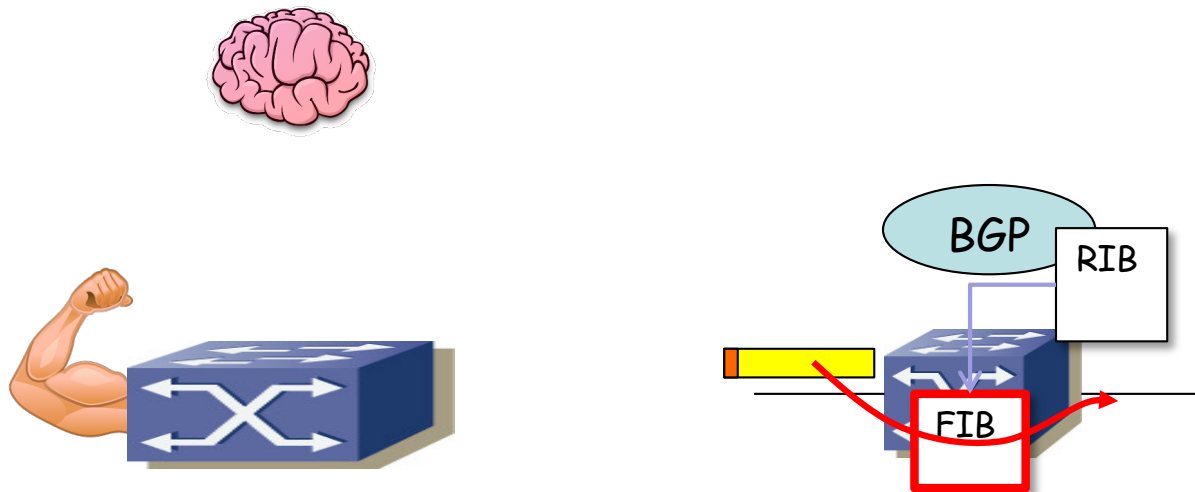
Universidad Pública de Navarra
Nafarroako Unibertsitate Publikoa

Redes de Nueva Generación
Área de Ingeniería Telemática

Networking hardware y el software

Planos

- Plano de control
 - Tradicionalmente atado al hardware
 - SDN lo independiza
- Plano de datos
 - En el propio diseño del hardware
 - (...)



Evolución del hardware

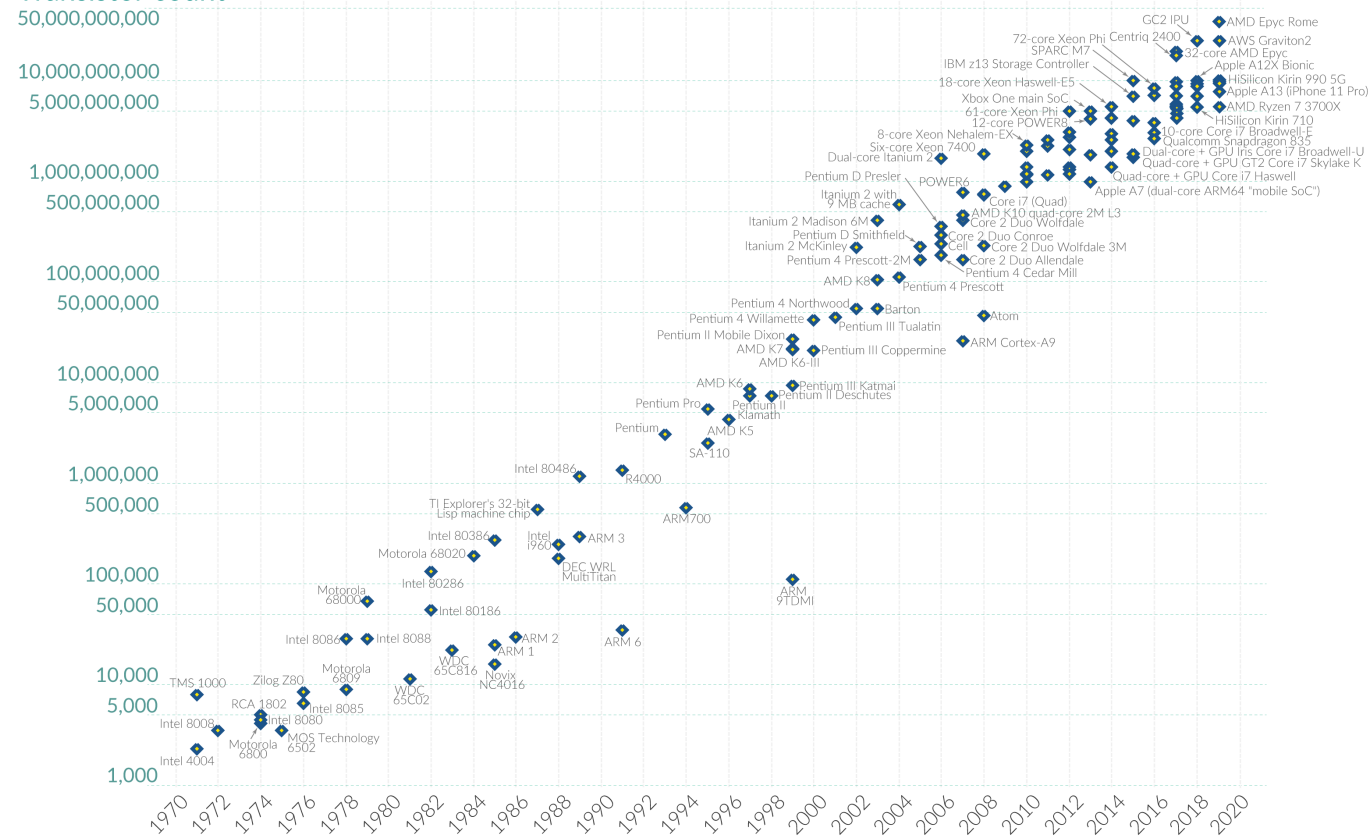
- 40 años de ley de Moore (x2 transistores cada 24 meses)
- Hoy en día ya estamos en 5 nm con anuncios de 3 nm
- Tick-tock
- Servidores ciclos de 2 años, networking reutilización 8-10 años

Moore's Law: The number of transistors on microchips doubles every two years

Moore's law describes the empirical regularity that the number of transistors on integrated circuits doubles approximately every two years. This advancement is important for other aspects of technological progress in computing – such as processing speed or the price of computers.

Our World
in Data

Transistor count



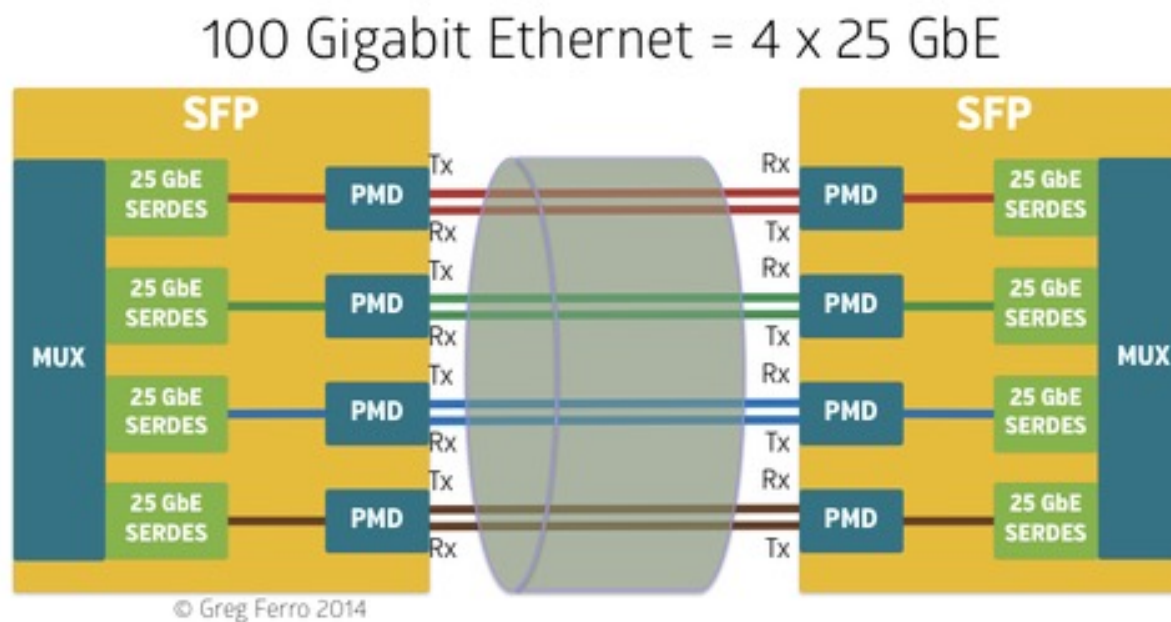
Data source: Wikipedia (wikipedia.org/wiki/Transistor_count) Year in which the microchip was first introduced

OurWorldinData.org – Research and data to make progress against the world's largest problems.

Licensed under CC-BY by the authors Hannah Ritchie and Max Roser.

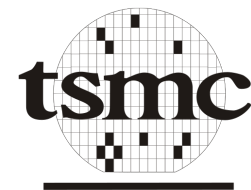
Evolución

- Los fabricantes de equipos de red están adoptando los ritmos de producción de electrónica
- Empujados por pocos grandes clientes
- Por ejemplo: donde teníamos SerDes a 10Gbps los tendremos posteriormente a 25Gbps, al mismo coste
- Esto permite interfaces 100GE donde antes teníamos 40GE, al mismo precio
- A día de hoy SoC (Switch on Chip) a varios Tbps



Merchant silicon

- ASICs creados por una compañía pero switches ensamblados por otra
- Broadcom
- Marvell
- Barefoot Networks (ahora Intel)
- Mellanox (ahora Nvidia)

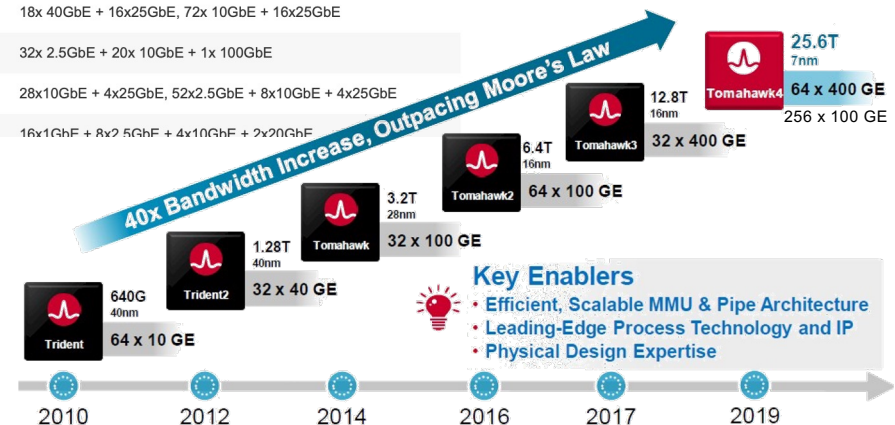


Broadcom



- Trident : Feature-rich (programmable for cloud Edge and Enterprise)
- Tomahawk : Hyperscale Fabrics
- Jericho : Scale-out, programmable, Deep buffered, Carrier-grade infrastructure

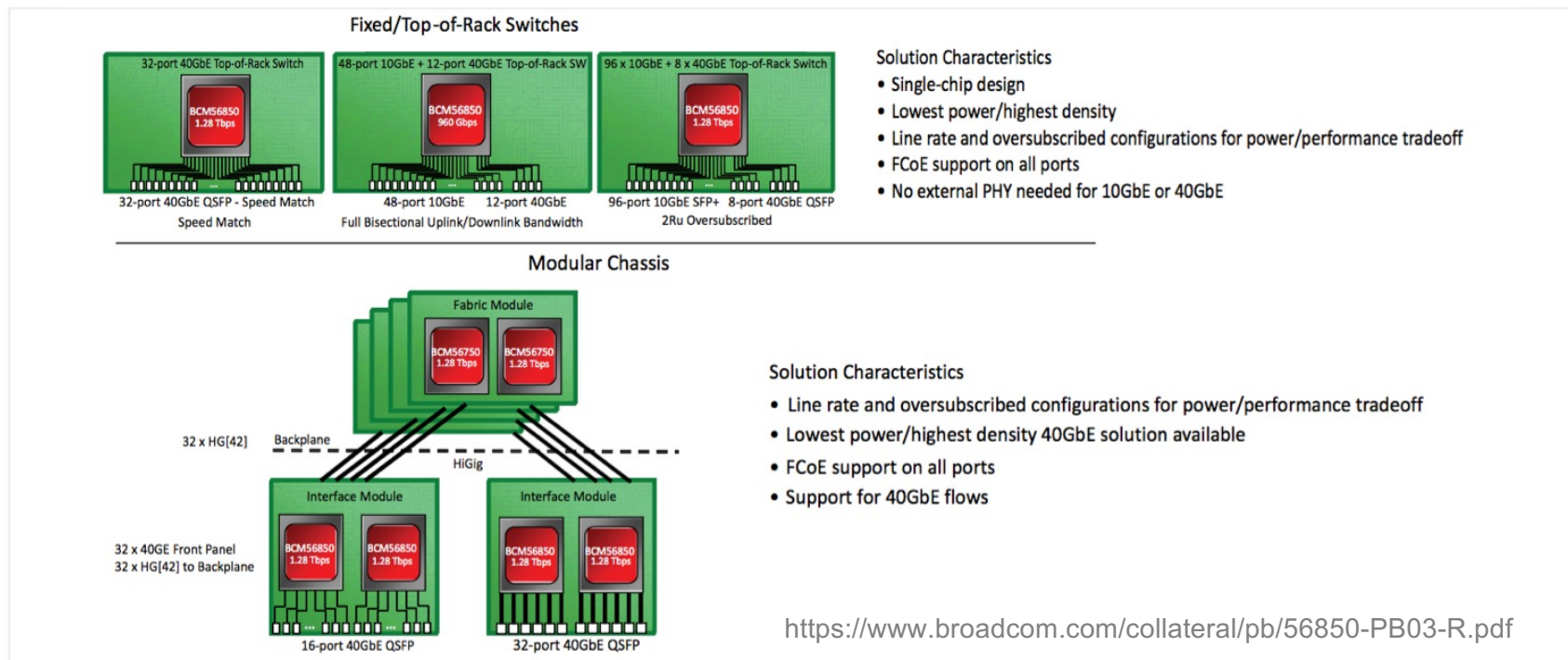
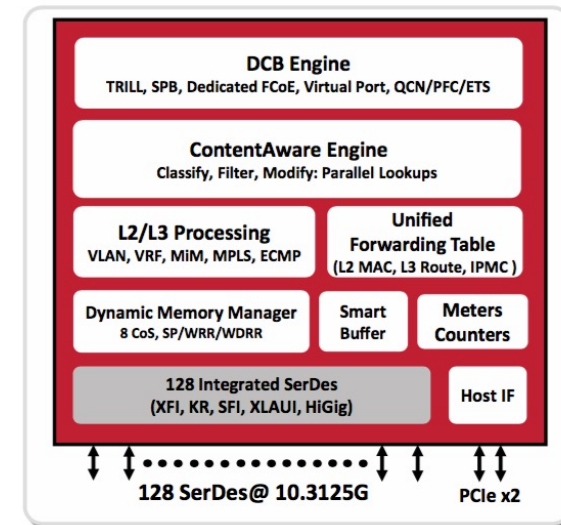
Product Line	Part Number	Bandwidth	Type	Sample I/O Configurations
StrataXGS® Switch Solutions	Tomahawk4 / BCM56990 Series	25.6 Tb/s	L3 Multilayer Switch	64 x 400GbE, 128 x 200GbE, or 256 x 100GbE
StrataXGS® Switch Solutions	Tomahawk3 / BCM56980 Series	12.8 Tb/s	L3 Ethernet Switch	32x 400GbE, 64x 200GbE, or 128x 100GbE
StrataXGS® Switch Solutions	Tomahawk2 / BCM56970 Series	6.4 Tb/s	L3 Ethernet Switch	64x 100GbE, 128x 40GbE
StrataXGS® Switch Solutions	Tomahawk / BCM56960 Series	3.2 Tb/s	L3 Ethernet Switch	32x 100GbE, 64x 40GbE, 128x 25GbE
StrataXGS® Switch Solutions	Trident4 / BCM56880 Series	12.8 Tb/s	L3 Programmable Ethernet Switch	32x 400GbE, 64x 200GbE, 128x 100GbE
StrataXGS® Switch Solutions	Trident2+ / BCM56860 Series	1.28 Tb/s	L3 Ethernet Switch	32x 40GbE, 104x 10GbE
StrataXGS® Switch Solutions	Trident2 / BCM56850 Series	1.28 Tb/s	L3 Ethernet Switch	32x 40GbE, 104x 10GbE
StrataXGS® Switch Solutions	Trident3-X7 / BCM56870 Series	3.2 Tb/s	L3 Programmable Ethernet Switch	32x 100GbE, 64x 40GbE, 128x 25GbE
StrataXGS® Switch Solutions	Trident3-X5 / BCM56770 Series	2.0 Tb/s	L3 Programmable Ethernet Switch	20x 100GbE, 40x 40GbE, 64x 25GbE
StrataXGS® Switch Solutions	Trident3-X4 / BCM56470 Series	1.7 Tb/s	L3 Programmable Ethernet Switch	68x 25GbE
StrataXGS® Switch Solutions	Trident3-X3 / BCM56370 Series	560 Gb/s	L3 Programmable Ethernet Switch	24x10GbE + 12x25G, 12x10GbE + 36x2.5GbE + 12x25GbE
StrataXGS® Switch Solutions	Trident3-X2 / BCM56275 Series	244 Gb/s	L3 Programmable Ethernet Switch	24x1GbE + 16x10GbE + 4x25GbE
StrataXGS® Switch Solutions	Maverick / BCM56760 Series	880 Gb/s	L3 Ethernet Switch	18x 40GbE + 16x25GbE, 72x 10GbE + 16x25GbE
StrataXGS® Switch Solutions	Firebolt5 / BCM56565 Series	600 Gb/s	L3 Ethernet Switch	32x 2.5GbE + 20x 10GbE + 1x 100GbE
StrataXGS® Switch Solutions	Hurricane3-MG / BCM56170 Series	380 Gb/s	L3 Ethernet Switch	28x10GbE + 4x25GbE, 52x2.5GbE + 8x10GbE + 4x25GbE
StrataXGS® Switch Solutions	Hurricane3 / BCM56160 Series	116 Gb/s	L3 Ethernet Switch	16x1GbE + 8x2.5GbE + 4x10GbE + 2x20GbE



Broadcom Trident 2



- 1.28 Tbps con puertos 10GE/40GE
- 128 SerDes 10GE (así que un máximo de 32 puertos 40GE en base a 4x10GE)
- Cut-through y Store&Forward
- VXLAN, NVGRE, 802.1Qbg EVR, 802.1BR
- Per VM traffic shaping
- DCB PFC, QCN y ETS. FCoE
- MPLS, VPLS, ISATAP, MAC-in-MAC, TRILL, SPB, Q-in-Q

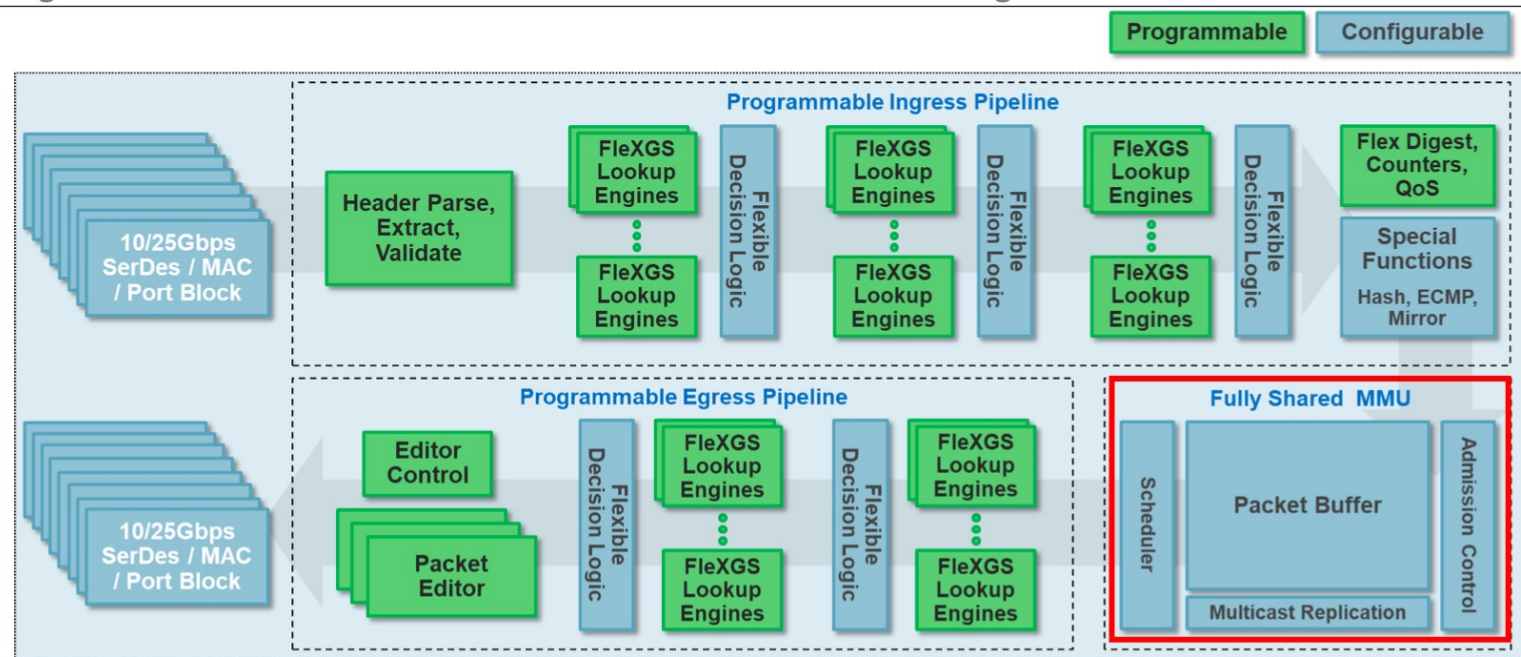


Broadcom Trident 3



- Conmutación a 3.2 Tbps para paquetes a partir de 250 bytes
- Para paquetes de 64 bytes da un throughput de 2 Tbps
- 32 x 100GE, cada uno divisible en 4x10GE, 4x25GE, 2x50GE o 1x40GE
- 32 MB fully shared packet buffer
- SerDes 25Gbps
- Support for new overlays and tunneling such as GENEVE, NSH, VXLAN, GPE, MPLS, MPLS over GRE/UDP, GUE, ILA and PPPoE

Figure 2. Broadcom Trident 3 Switch Silicon Internal Architecture Diagram



Source: Enterprise Strategy Group



Trident 2 y Trident 3

- Memoria (SRAM, TCAM) particionable para diferentes usos del switch (muchas MACs, muchas rutas IPv4, etc)



Table 1. Broadcom Trident 2 Forwarding Tables

Mode	Dedicated Layer 2	Shared Memory bank 1	Shared Memory bank 2	Shared Memory bank 3	Shared Memory bank 4	Host Route Dedicated	LPM Dedicated
Mode 0	32,000	Layer 2 (64,000)	Layer 2 (64,000)	Layer 2 (64,000)	Layer 2 (64,000)	Layer 3 (16,000)	16,000
Mode 1	32,000	Layer 2 (64,000)	Layer 2 (64,000)	Layer 2 (64,000)	Layer 3 (40,000)	Layer 3 (16,000)	16,000
Mode 2	32,000	Layer 2 (64,000)	Layer 2 (64,000)	Layer 3 (32,000)	Layer 3 (40,000)	Layer 3 (16,000)	16,000
Mode 3	32,000	Layer 2 (64,000)	Layer 3 (32,000)	Layer 3 (32,000)	Layer 3 (40,000)	Layer 3 (16,000)	16,000
Mode 4	32,000	LPM (32,000)	LPM (32,000)	LPM (32,000)	LPM (32,000)	Layer 3 (16,000)	16,000

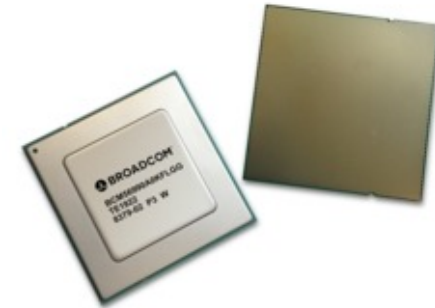
Table 2. Broadcom Tomahawk Forwarding Tables

Mode	Dedicated Layer 2	Shared Memory bank 1	Shared Memory bank 2	Shared Memory bank 3	Shared Memory bank 4	Host Route Dedicated	LPM Dedicated
Mode 0	8,000	Layer 2 (32,000)	Layer 2 (32,000)	Layer 2 (32,000)	Layer 2 (32,000)	Layer 3 (8,000)	16,000
Mode 1	8,000	Layer 2 (32,000)	Layer 2 (32,000)	Layer 2 (32,000)	Layer 3 (32,000)	Layer 3 (8,000)	16,000
Mode 2	8,000	Layer 2 (32,000)	Layer 2 (32,000)	Layer 3 (32,000)	Layer 3 (32,000)	Layer 3 (8,000)	16,000
Mode 3	8,000	Layer 2 (32,000)	Layer 3 (32,000)	Layer 3 (32,000)	Layer 3 (32,000)	Layer 3 (8,000)	16,000
Mode 4	8,000	LPM (32,000)	LPM (32,000)	LPM (32,000)	LPM (32,000)	Layer 3 (8,000)	16,000

Tomahawk 4



- 2.5 años de desarrollo
- 25.6 Tb/s
- 7nm, 31.000 millones de transistores
- 8.000 pins
- 512 x 50G PAM-4 SerDes
- 4 cores ARM 1GHz (para telemetría)



	Broadcom Tomahawk 4 BCM56990	Broadcom Tomahawk 3 BCM56980
Bandwidth	25.6Tbps	12.8Tbps
Serdes	512x50Gbps PAM4	256x50Gbps PAM4
Network Ports	64x400GbE, 128x200GbE, 256x100GbE	32x400GbE, 64x200GbE, 128x100GbE
Host Interface	PCIe Gen3 x4	PCIe Gen3 x4
Buffer Memory	Unified, undisclosed	Unified, 64MB
IPv4 Addresses	>750K routes*	>750K routes
ECMP Members	64K*	64K
Latency (L3)	450ns*	450ns
IC Process	TSMC N7	TSMC 16FFC
Power (typ)	450W*	300W
Availability	Samples 4Q19	Production 3Q18

Table 1. Comparison of Tomahawk switch generations. Externally, Tomahawk 4 is nearly identical to its predecessor but has twice the port count. (Source: Broadcom, except *The Linley Group estimate)

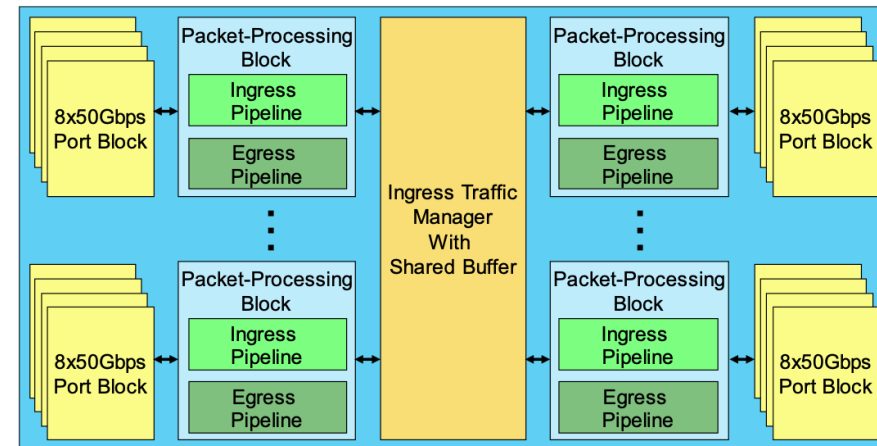


Figure 1. Tomahawk 4 switch chip. The top-level architecture carries over from Tomahawk 3, but the new chip instantiates 64 port blocks, each with eight serdes.

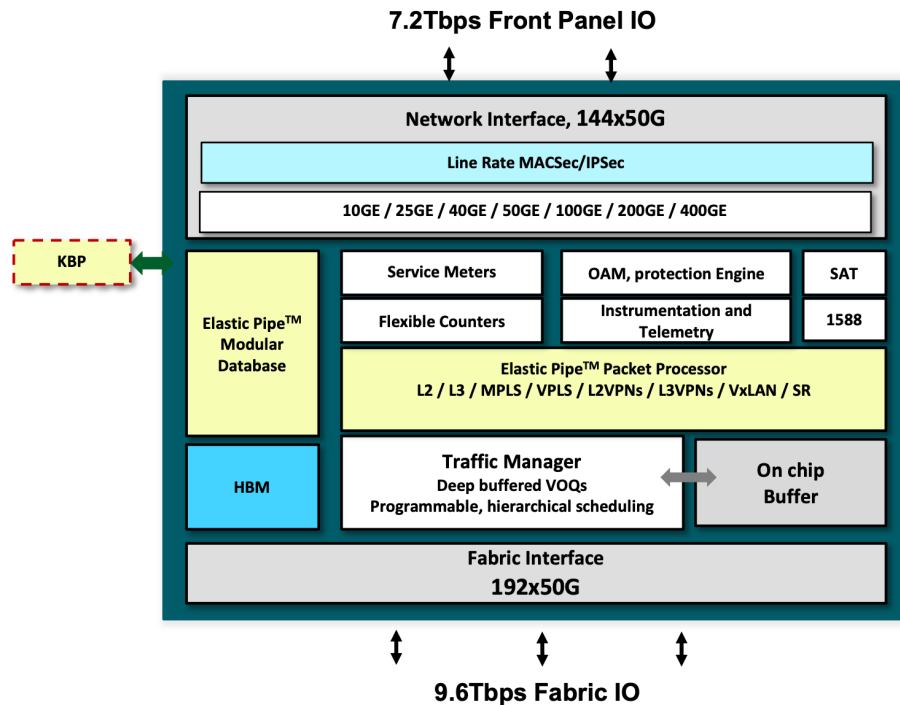
Tomahawk4: Best-in-Class Instrumentation

- In-band telemetry – packet tracing and latency monitoring
- Postcards
- Flight-Data Recorder – provides real-time SerDes link quality meters
- Visibility into all packet drops
- Flow and queue tracking
- Microburst and elephant-flow detection
- Programmable export formats
- ARM processors for statistics processing and summarization

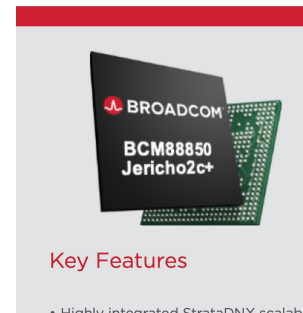
Jericho2

- Jericho2c+ : 14.4Tb/s
- Hasta 18 puertos 100GE
- High Bandwidth Memory (HBM): 8GB, en el mismo encapsulado
- Pipeline reprogramable (C++)
- Jericho2 + Ramon: permite construir single-stage system 900Tb/s

Figure 1: BCM88850 Block Diagram



Product Brief



BCM88850 StrataDNX™ 14.4 Tb/s Scalable Switching Device

Overview

The Broadcom® BCM88850 scalable series is the industry's most integrated networking solution, enabling high density 400GbE switching and routing platforms with line rate MACSec and IPsec support.

The BCM88850 is the eight generation of the StrataDNX scalable switching product line and processes up to 14.4 Tb/s of line card traffic, supporting up to 18 400GbE ports, 72 100GbE ports, or a mix of front panel ports from 10GbE to 400GbE, operating at Layer 2 through Layer 4.

The BCM88850 series, together with the BCM88790 fabric element (FE) device, enables system vendors to build a scalable product line based on a unified architecture that addresses any density or application, such as:

- Multi-terabit core and edge routers for data center, packet transport, or carrier network applications

Jericho2 : Ejemplos

- Arista 7280CR3-32P4

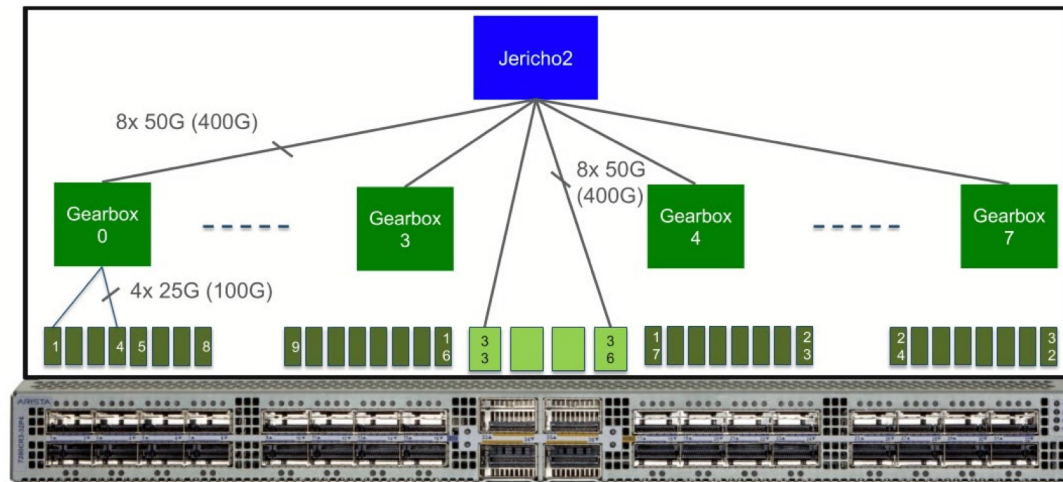


Figure 6: Arista 7280CR3-32P4 Switch Architecture

- 7280PR23-24

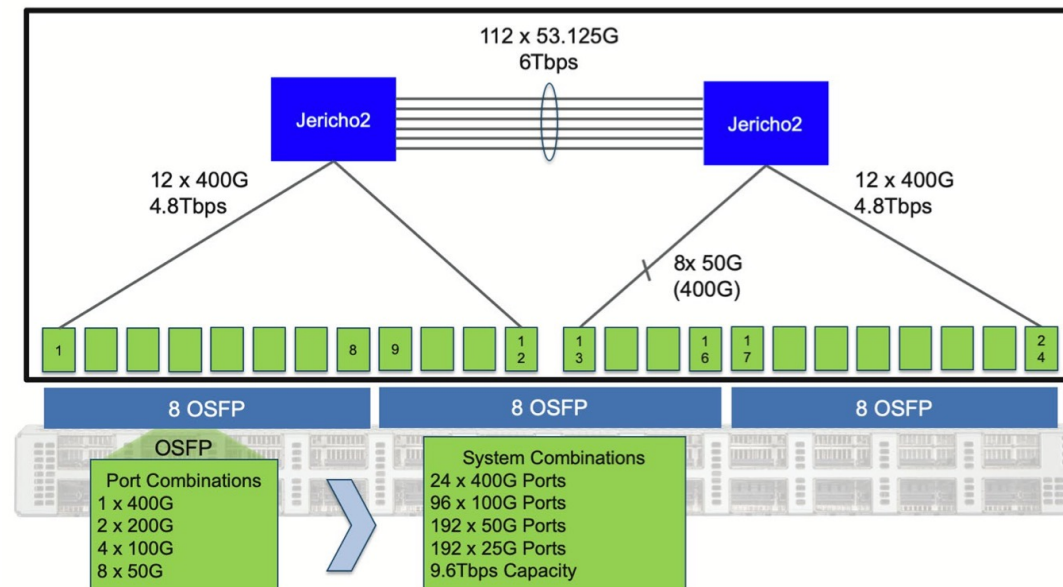
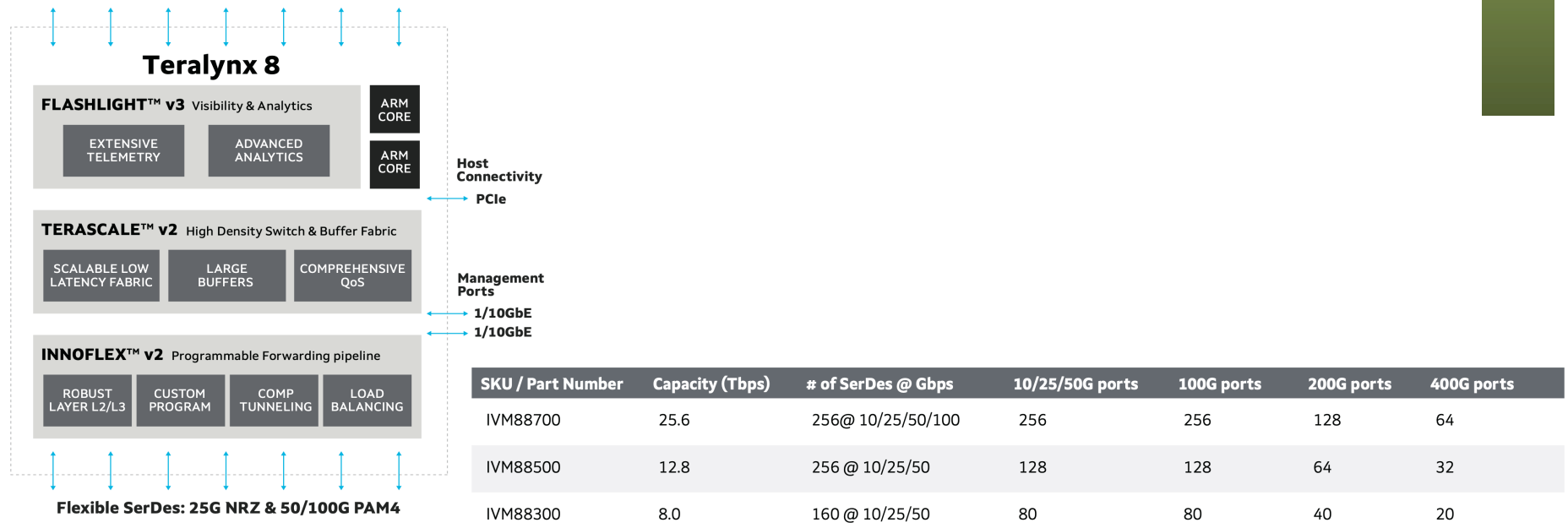


Figure 11: 7280PR3-24

Marvell Teralynx8

Features	Benefits
<ul style="list-style-type: none"> 25.6 Tbps throughput with 256x 112 Gbps SerDes 	<ul style="list-style-type: none"> Industry leading performance and scale enables customers to deploy fewer network switches and tiers dramatically reducing cost, power, latency & management
<ul style="list-style-type: none"> Comprehensive IP forwarding and highly scalable/flexible layer 2 and 3 tables for IPv4, IPv6 and hybrid networks 	<ul style="list-style-type: none"> Proven, innovative & highly scalable architecture delivers 64 x 400Gbe, 128 x 200G and 256 x 100GbE ports
<ul style="list-style-type: none"> Line-rate programmability to accommodate future networking protocols with software upgrades 	<ul style="list-style-type: none"> 100G LR SerDes enables higher scale IO with backward compatibility to 50G PAM4 & 10/25G NRZ
<ul style="list-style-type: none"> Extensive tunneling capabilities such as IP-in-IP, GRE, MPLS, VXLAN and Geneve 	<ul style="list-style-type: none"> Breakthrough visibility and analytics capabilities enable predictive, faster & more accurate issue resolution, higher automation and self-healing autonomous networks
<ul style="list-style-type: none"> Very low latencies - cut-through and store-and-forward 	<ul style="list-style-type: none"> Superior power efficiency enables customers to design 1RU 32 x 800G switches for best power and cost per bit
<ul style="list-style-type: none"> Advanced QoS/traffic management feature set such as DCB, RDMA/RoCE 	<ul style="list-style-type: none"> InnoFlex™ programmable forwarding pipeline enables support of custom & new standard protocols without requiring ASIC spins to future proof the network
<ul style="list-style-type: none"> FLASHLIGHT™ v3 innovations delivers breakthrough visibility and telemetry addressing Cloud customer requirements 	



SKU / Part Number	Capacity (Tbps)	# of SerDes @ Gbps	10/25/50G ports	100G ports	200G ports	400G ports
IVM88700	25.6	256@ 10/25/50/100	256	256	128	64
IVM88500	12.8	256 @ 10/25/50	128	128	64	32
IVM88300	8.0	160 @ 10/25/50	80	80	40	20

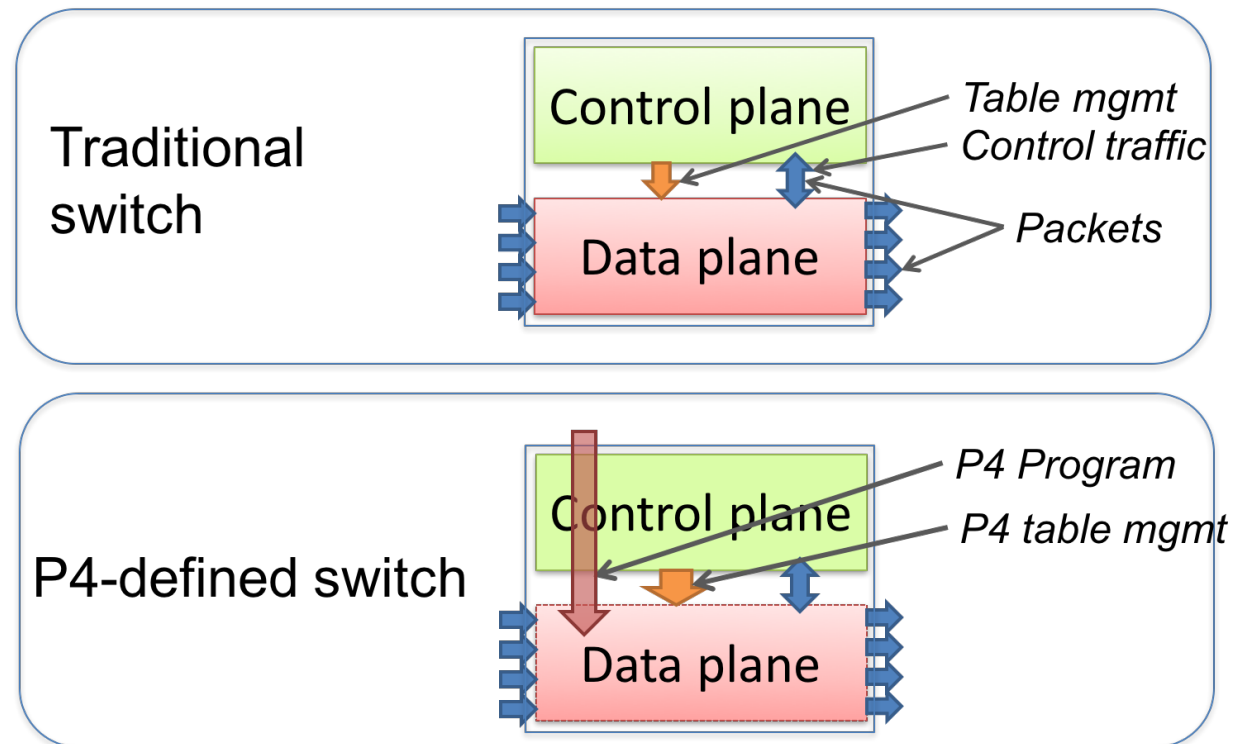
Intel Tofino

- Tofino 2
 - Hasta 12.8 Tb/s
 - Soporta puertos de 400Gb/s
- Tofino 3
 - Hasta 25.6 Tb/s (de 256x10GbE a 64x500GbE)
 - 10/25/40/50/100/200/400 GbE
 - 10.000 Mpkt/s
 - 192MB shared packet buffer, 160Mb SRAM, 8.2Mb TCAM
 - Cut-through
 - Hasta 256 puertos, hasta 128 egress queues por puerto
 - 112G PAM4 y 56G PAM4 SerDes
- P4-programable (...)



Plano de datos

- En el propio diseño del hardware
- Nuevos ASICs son reprogramables
- Los objetos en el plano de datos no están fijos, se pueden modificar y con ellos lo que puede modificar el plano de control

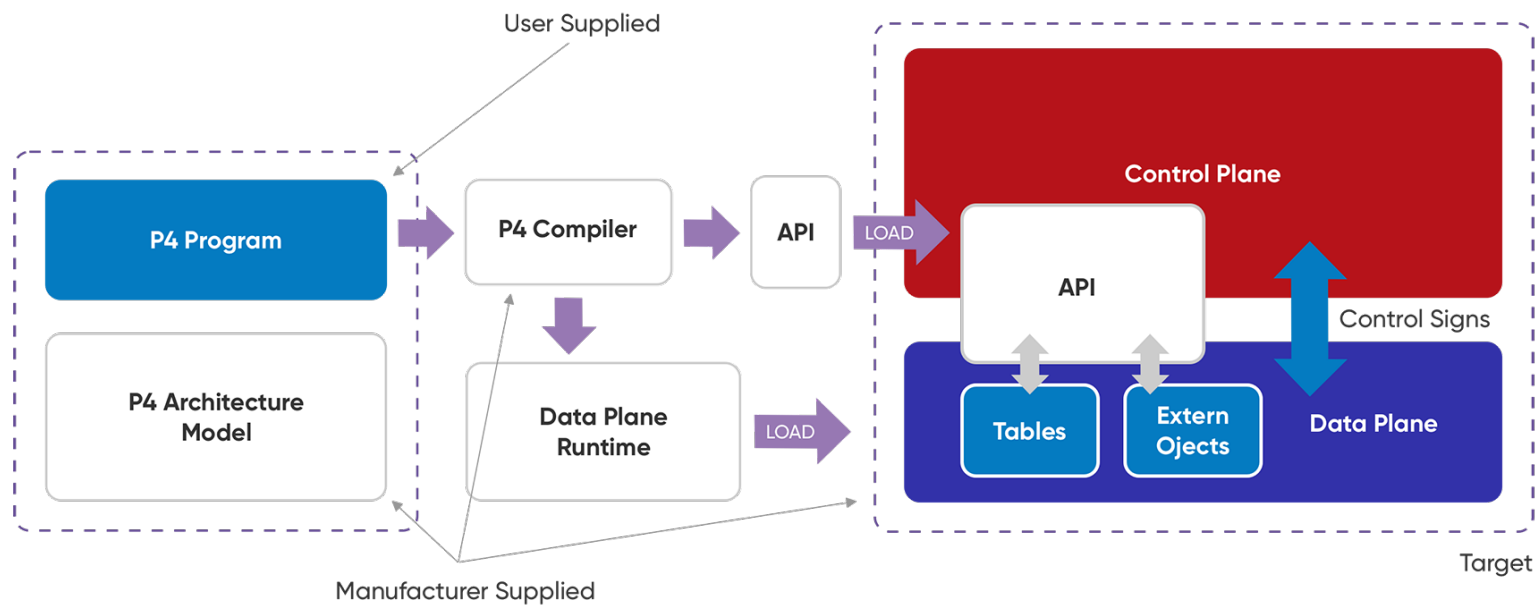


Ejemplo: P4



<https://p4.org>

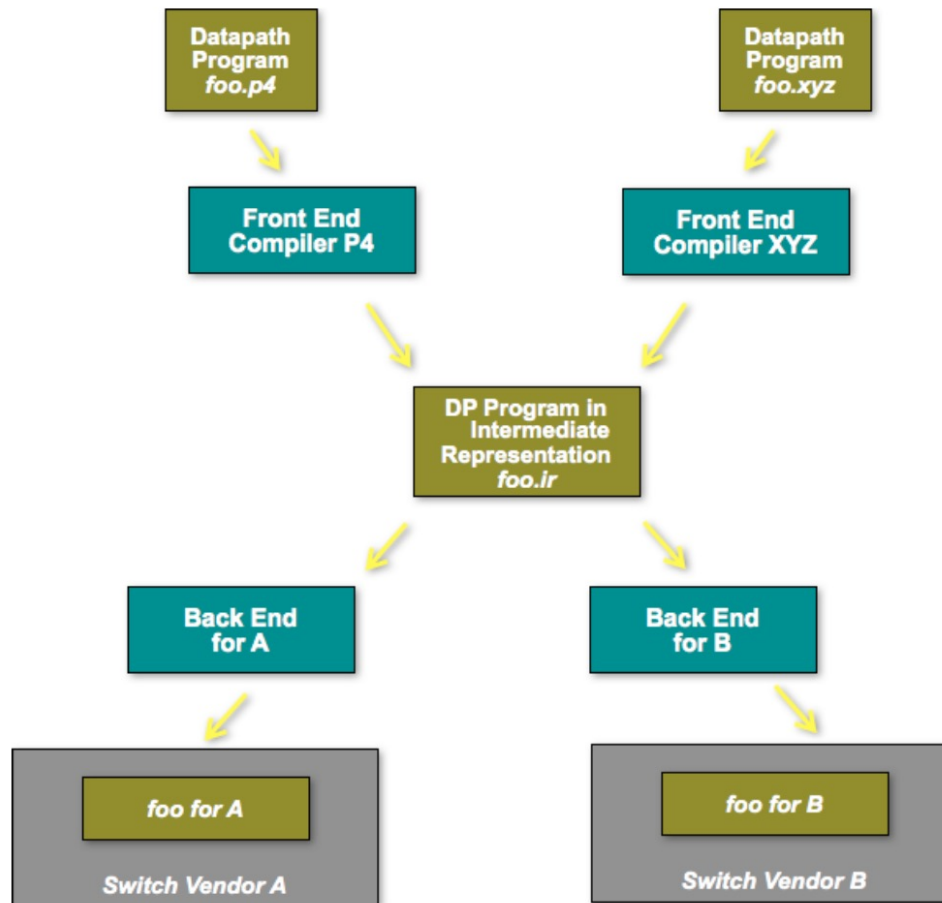
- Programming Protocol-independent Packet Processors



P4



<https://p4.org>



https://opennetworking.org/wp-content/uploads/2013/05/TR-535_ONF_SDN_Evolution.pdf

```
parser TopParser(packet_in b, out Parsed_packet p) {
    Checksum16() ck; // instantiate checksum unit

    state start {
        b.extract(p.ethernet);
        transition select(p.ethernet.etherType) {
            0x0800: parse_ipv4;
            // no default rule: all other packets rejected
        }
    }

    state parse_ipv4 {
        b.extract(p.ip);
        verify(p.ip.version == 4w4, error.IPv4IncorrectVersion);
        verify(p.ip.ihl == 4w5, error.IPv4OptionsNotSupported);
        ck.clear();
        ck.update(p.ip);
        // Verify that packet checksum is zero
        verify(ck.get() == 16w0, error.IPv4ChecksumError);
        transition accept;
    }
}
...
```

<https://p4.org/p4-spec/docs/P4-16-v1.2.1.html>

Netberg Aurora 710

- ONIE Pre-loaded
 - Barefoot Tofino
 - A unique development platform
 - P4 programming language
 - ONL-ready
 - SDN-ready
 - X86 Linux apps
-
- Interfaces: 32x 100G QSFP28 Ports, 2x 10G SFP+ ports, Management (1000Base-T), mini-USB Console Port, and USB2.0 (Type A)
 - Intel Xeon D-1527 CPU
 - 8GB DRAM, 128GB m.2 SSD
 - Barefoot Tofino DFN-T10-032D
 - Switching Capacity: 3.2Tbps, 22MB Packet Buffer
 - Jumbo Packet: 12K bytes



<https://netbergtw.com/products/aurora-710/>

Intel Barefoot Tofino



Description

A 64x100G ports P4 programmable Ethernet switch with maximum port bandwidth of 6.4 Tbps

Netberg Aurora 710

- ECMP
- LAG, MC-LAG (L2)
- LLDP. LLDP extended MIB: Ildpremtable, Ildplocporttable, Ildpremanaddrtable, Ildplocmanaddrtable, Ildplocporttable, IldpLocalSystemData
- QoS - ECN, QoS - RDMA
- Priority Flow Control
- WRED
- COS
- SNMP
- Syslog, Sysdump
- NTP
- COPP
- DHCP Relay Agent
- SONiC to SONiC upgrade
- One Image
- VLAN, VLAN trunk
- ACL permit/deny
- IPv6
- Tunnel Decap
- Mirroring
- Post Speed Setting
- BGP Graceful restart helper
- BGP MP
- Fast Reload
- PFC WD
- RADIUS AAA, TACACS+
- LACP Fallback
- MTU Setting
- IPv6 ACL
- BGP
- BGP/Neighbor-down fib-accelerate
- BGP-EVPN support(type 5) (related HLD Fpmsyncd, Vxlanmgr,template)
- Port breakout
- Dynamic ACL Upgrade
- SWSS Unit Test Framework (best effort)
- ConfigDB Framework
- Critical Resource Monitoring
- MAC Aging
- IPv6 ACL
- BGP/Neighbor-down fib-accelerate
- PFC WD
- gRPC
- Dtel support
- Sensor transceiver monitoring
- Debian Kernel 4.9
- Warm Reboot
- Incremental Config (IP, LAG, Port shut/unshut)
- Asymmetric PFC
- PFC Watermark
- Routing Stack Graceful Restart
- Basic VRF and L3 VXLAN
- FRR as default routing stack
- Everflow enhancement
- Egress ACL bug fix and ACL CLI enhancement
- L3 RIF counter support
- PMon Refactoring
- MACSec



<https://netbergtw.com/products/aurora-710/>

Intel Barefoot Tofino

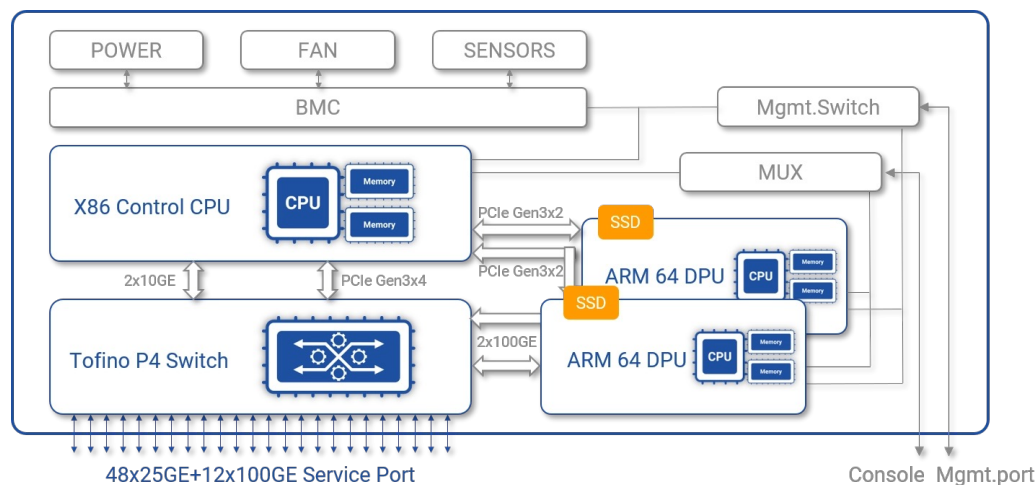


Description

A 64x100G ports P4 programmable Ethernet switch with maximum port bandwidth of 6.4 Tbps

Asterfusion X312P-T

- P4-programmable, 48 puertos 25GE + 12x100GBE
- 3.3 Tbps Intel Tofino ASIC + CPU Intel Broadwell
- + 2x Marvell Octeon TX CN9670 DPUs (24-core ARM64 1.8GHz)



DPU = Data Processing Unit (SoC con ARM multicore + NIC + engines para ML, seguridad, almacenamiento, etc)

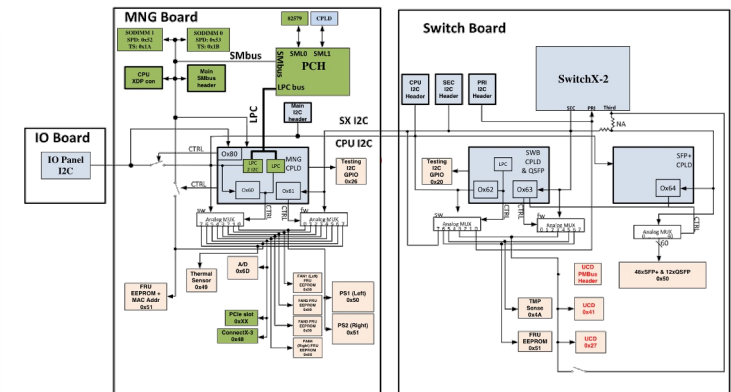
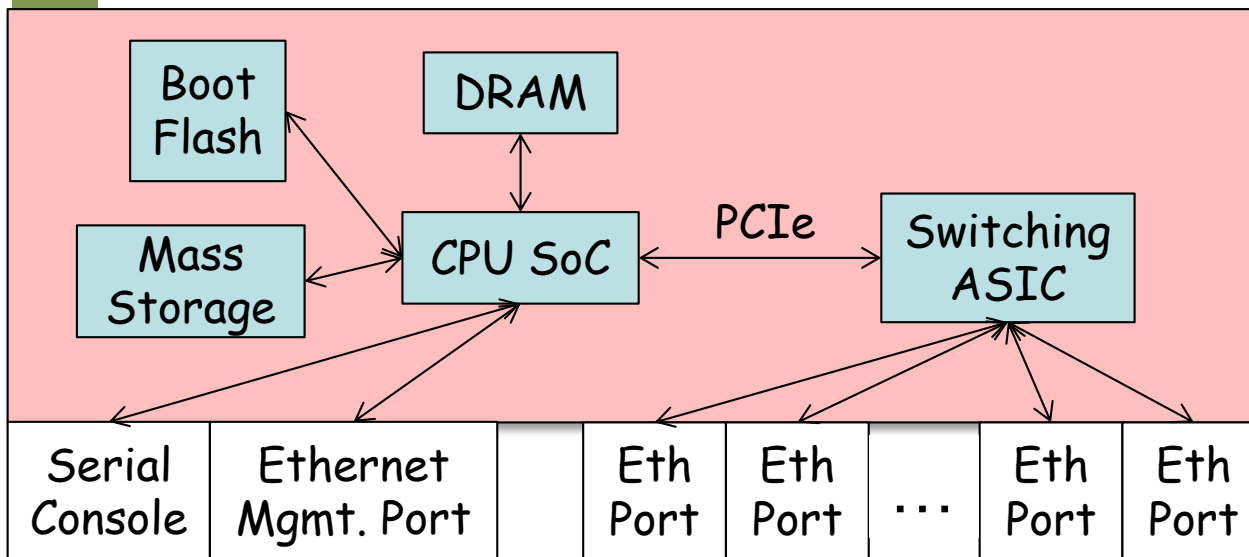
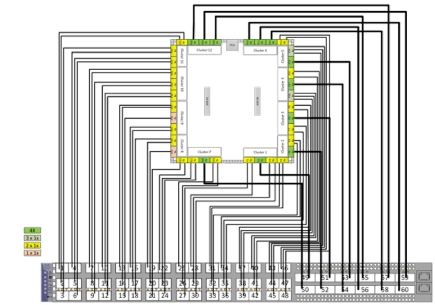
¿Evolución?

- La infraestructura se está simplificando
- Principalmente el hardware, controlable por software
- *White boxes* no solo servidores sino también switches
- También se venden ya switches "*Bare metal*" = solo el hardware



Bare metal switches

- Menores costes
- El mismo equipo un día es un switch, otro un firewall, otro un balanceador... dentro de las limitaciones del ASIC
- Ejemplo:
 - Open Compute Networking Project
 - <http://www.opencompute.org/wiki/Networking>
 - Especificaciones completas de conmutadores
- Fabricantes: Mellanox, Quanta, Penguin Computing, Edge-core, Acton, Dell, etc



¿Evolución?

- Para estos equipos sistemas operativos y gran cantidad de software, generalmente basados en linux, muchos de código abierto
- Ejemplos:
 - SONiC: <https://azure.github.io/SONiC/>
 - Open Network Install Environment (ONIE): <http://onie.opencompute.org>
 - Open Network Linux: <http://opennetlinux.org>
 - Big Switch's Switch Light OS
 - Pica8 PicOS
 - Cumulus Linux
- Es decir, igual que en el entorno de servidor, puedes cambiar el hardware, instalar el sistema operativo que quieras y desarrollar tus aplicaciones (...)



¿Evolución?

- Para diferenciarse, los proveedores desarrollan software propietario para ofrecer sus servicios
- Porque hoy en día ya es el software por lo que principalmente están cobrando los fabricantes “no-open”
- Muchos modelos ToR de fabricantes conocidos son switches bare-metal que han comprado, cambiado el software y el frontal



Software Defined X

- Software Defined Networking (SDN)
- Software Defined Infrastructure (SDI)
- Software Defined Data Center (SDDC)
- Software Defined Storage (SDS)
- Software Defined Radio (SDR)
- Software Defined WAN (SD-WAN)
- Software Defined Power (SDP)
- Software Defined Internet of Things (SDIoT)
- Software Defined Wireless LAN (SD-WLAN)
- Software Defined Content Distribution Network (SD-CDN)
- etc

¿Software?

- ¿Amazon? (Libros antes, ahora cualquier cosa)
- ¿Netflix? (¿La industria del cine va a ser solo productora y no distribuidora?)
- ¿iTunes? ¿Spotify? ¿Pandora? (¿La industria de la música va a ser solo productora y no distribuidora?)
- ¿Zynga? ¿Rovio? (Fuerte competencia a los Electronic Arts y Nintendos de la década pasada)
- ¿Pixar? (¿Disney tuvo que adquirir una compañía de soft para seguir siendo relevante? ¿Quién compró a quién?)
- ¿Flickr? ¿Instagram? (¿A alguien le suena Kodak?)
- ¿Google? (¿Vemos publicidad en la TV?)
- ¿PayPal?
- ¿Groupon, Foursquare, Skype, LinkedIn?
- ¿Alguien es capaz de reparar hoy en día su coche sin las herramientas soft?
- ¿Wal-Mart? ¿FedEx? Su logística no es nada sin el soft
- ¿Salud?
- ¿Defensa?



„Software is
eating the world.“

- Marc Andreessen
Cofundador de Netscape Comm. Corp.